

# SUSTAINABILITY DECLARATION

## OBERON



## QUALITY AND ENVIRONMENTAL LABELLING



FSC: Products in veneer as well as white, beech and birch laminate are labelled.

## MATERIAL CONTENT

Steel	26,2 kg	54 %
Wood	21,5 kg	45 %
Plastic	0,4 kg	1 %
<b>Total</b>	<b>48,0 kg</b>	<b>100 %</b>

Disclaimer: Material content is based on Oberon 168 SS.

## RECYCLED MATERIAL

Post-consumer recycled content	10,7 kg	22 %
Pre-consumer recycled content	9,5 kg	20 %
<b>Total recycled content</b>	<b>20,2 kg</b>	<b>42 %</b>

Disclaimer: The recycled content is based on Oberon 168 SS. Numbers may vary based on model and options selected.

## RECYCLABILITY:

Material recycling	55 %
Energy recovery	45 %
<b>Total recyclability</b>	<b>100 %</b>

## TOTAL CO2:

56 KG

## FULFILLED TECHNICAL STANDARDS

- EN 527-1 Dimensions
- EN 527-2 Mechanical safety requirements
- EN 527-3 Methods of test for the determination of the stability and the mechanical strength of the structure
- EN12720:2009+A1:2013 Assessment of surface resistance to cold liquids
- EN12722:2009+A1:2013 Assessment of surface resistance to dry heat
- SS 839122:2017 Assessment of resistance to spotting from fat on scratched surfaces
- SS 839117 Assessment of resistance to spotting from fat on scratched surface

## EMISSION TEST

The product is tested and compliant with:

- Indoor Air Comfort GOLD
- French VOC regulation (DEVL1101903D and DEVL1104875A)
- French CMR components (DEVL1101903D and DEVL1104875A)
- AgBB
- Belgian Regulation (C-214/24239)
- EN 717-1
- Blue Angel (RAUL UZ 117)
- M1
- ANSI/BIFMA x7.1-2011

## CHEMICAL DATA

The product does not contain:

Substances on Reach candidate list

Substances on Living Building Challenge Red List

Asbestos

Heavy metals

Phthalates

Brominated or halogenated flame retardants

PVC

Hexavalent chromium

Biocides

## COMPANY CERTIFICATIONS

- ISO 9001
- ISO 14001
- ISO 45001
- FSC® Chain of Custody

## PACKAGING AND TRANSPORT

The product is shipped with blankets and cardboard sheets as packaging material that is returned to the factories after delivery and reused. This method saves 270 kg of packaging material per container and enables 50% more products to be transported in each truck. Kinnarps' trucks have a load efficiency of over 90% and are run on diesel with renewable content that reduces CO<sub>2</sub> emissions.

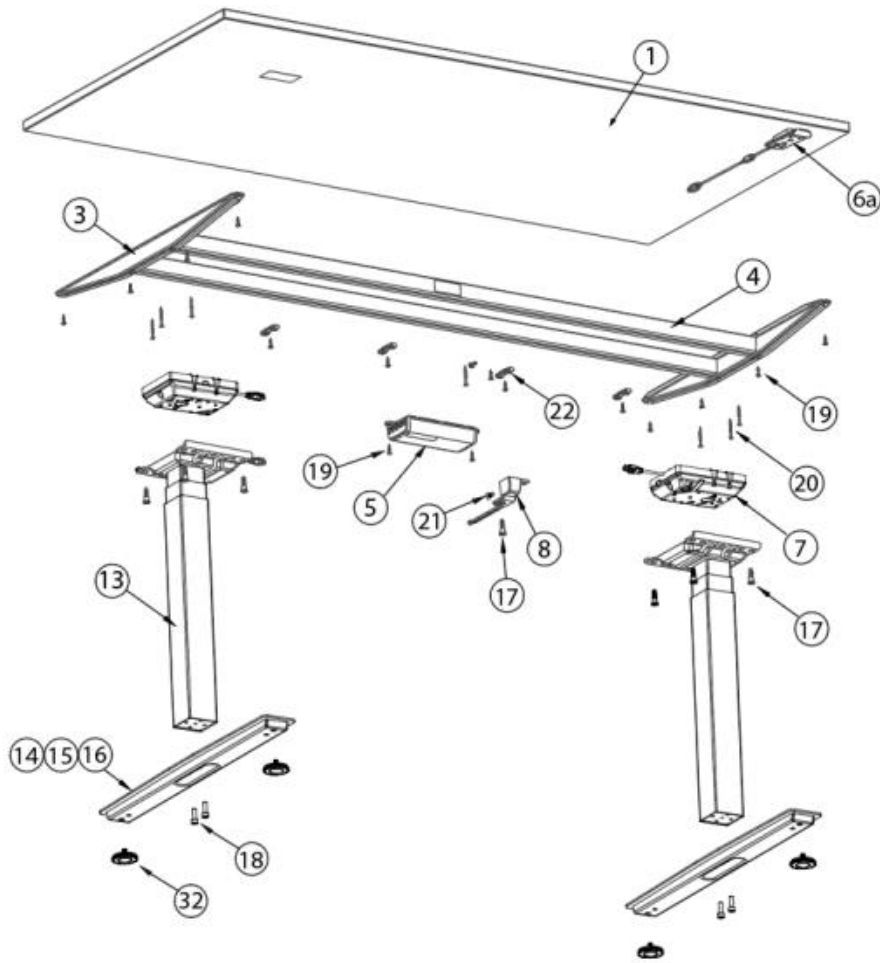
## MATERIALS

- **Fabrics:** All of Kinnarps' standard fabrics are free from flame retardants and azo dyes. Kinnarps can also offer multiple fabrics labelled with or fulfilling the requirements of EU Ecolabel and/or Oeko-Tex.
- **Wood:** We use FSC® and PEFC certified wood material in the production of our products. The origin and legality of all wood material is controlled and assessed in accordance with Kinnarps Timber Trading Policy. All wood boards fulfil high requirements regarding formaldehyde in accordance with CARB Phase II or half E1.
- **Metal finishing:** Kinnarps use powder coating for surface treatment of metal which gives very low emissions of volatile organic compounds (VOC). For chrome executions, only trivalent chrome is used.
- **Wood finishing:** Kinnarps treats the surface of veneered tables and storage with water based UV-lacquer which ensures very low application quantities of volatile organic compounds (VOC).
- **Plastic:** Plastic components that are used in products produced by Kinnarps are free from PVC and flame retardants, with the exception of some plastic parts of electrical components. The plastic is also free from PFOS, Bisphenol A and phthalates. Plastic components over 100 g are labelled according to ISO 11469.
- **Padding:** The padding in our task chairs is manufactured in Kinnarps' factory in Skillingaryd, Sweden, which enables us to have control over the whole process and ensure a safe production. The padding used in other products is certified with Oeko-Tex. All padding used in Kinnarps' products are free from flame-retardants and azo dyes.
- **Electronics:** Electronic components are CE-labelled and complies with the EU RoHS directive. This prohibits the use of lead, mercury, cadmium and hexavalent chrome, as well as the flame-retardants PDD and PBDE, in electronic products. Conflict minerals are not allowed in the components.
- **Separability:** Separability is taken into consideration in the product development process in order to facilitate the recycling of material when the products no longer can be used. Different types of material is not casted together in a way that makes it hard to recycle. Products are designed with replaceable parts that are easy to change.

## CARE AND MAINTENANCE RECOMMENDATIONS

<https://www.kinnarps.com/care-recommendations/>

# RECYCLING



ID	Material	Tools for disassembly	Waste fraction
1	Wood, ABS	Screwdriver	Combustible waste
3	Steel	Screwdriver	Metal
4	Steel	Screwdriver	Metal
5	Electronics	Screwdriver	Electrical waste
6a	Electronics	Screwdriver	Electrical waste
7	Electronics	Screwdriver	Electrical waste
8	Electronics	Screwdriver	Electrical waste
13	Steel	Screwdriver	Metal
14, 15, 16	Steel	Screwdriver	Metal
17, 19, 20	Steel	Screwdriver	Metal
21	Steel	Screwdriver	Metal
22	PP	Screwdriver	Plastics
32	PA6 GF30%	Screwdriver	Plastics

*\*The product should in first hand be reused or remade before recycling its components.*

## LEED CONTRIBUTION

The product can contribute to the earning of points within the following credits.

### LEED V 4

#### Interior Design & Construction

MR Credit: Interiors life-cycle impact reduction	Kinnarps offers services for recycling, refreshing or reusing products. Share of recyclable material in the product: 55 %
MR Credit: Building product disclosure and optimization – sourcing of raw materials	The product is FSC labelled as standard with the exception of some executions. Recycled content: Post consumer 22 %, Pre consumer 20 % Manufactured in Kinnarp, Sweden
EQ Credit: Low-emitting materials	The product is tested and compliant with ANSI/BIFMA X7.1 and Indoor Air Comfort GOLD

#### Building Design and Construction

MR Credit: Building product disclosure and optimization – sourcing of raw materials	Recycled content: Post consumer 22 %, Pre consumer 20 % Manufactured in Kinnarp, Sweden
MR Credit: Furniture and medical furnishings (healthcare)	The product contains no or less than 100ppm hexavalent chromium, heavy metals, PFCs or PFOA, or added anti-microbial treatments. The product is FSC labelled as standard with the exception of some executions. Recycled content: Post consumer 22 %, Pre consumer 20 %
EQ Credit: Low-emitting materials	The product is tested and compliant with ANSI/BIFMA X7.1 and Indoor Air Comfort GOLD

#### Building Operations and Maintenance

MR Credit: purchasing—facility maintenance and renovation	The product is FSC labelled as standard with the exception of some executions. The product does not contain any substances on REACH Authorization or Candidate list. The product is tested and compliant with ANSI/BIFMA X7.1 and Indoor Air Comfort GOLD
---	---

## WELL v2 CONTRIBUTION

The product can contribute to preconditions or the earning of points within the following features.

### Preconditions

V02 Visual and Physical Ergonomics	The desktop is height adjustable according to this feature
A01 Fundamental Air Quality	The thresholds for organic gases specified in this feature are met.

### Optimizations

A05 Enhanced Air Quality	The thresholds for organic gases specified in this feature are met.
V07 Active Furnishing	The desktop is height adjustable according to this feature
X08 Hazardous Materials Limitations	The product is free from mercury, cadmium, antimony and hexavalent chromium.
X10 Volatile Compound Reduction	The product is free from halogenated flame retardants.
X11 Long-Term Emission Control	The product is tested and compliant with ANSI/BIFMA Standard Method M7.1-2011.

Verified date: 2022-12-05